

Bangalore
2nd Floor, Leelawati Mansion No. 40, 6th cross
Morgosa Main Road, Malleshwaram
Bangalore - 500003
Ph : 080-23362581/82 Fax : 080-23362580

Chennai
12 / 304, 2nd Floor, Sona Complex 52nd Street,
7th Avenue, Ashok Nagar,
Chennai - 600 083
Ph : 044-24718651; Fax: 044-24718652

Delhi
Unit No. 455, 1st Floor Patparganj Industrial Estate,
Delhi - 110092
Ph : 011- 22157418 / 32000195 / 32009602 / 22164321
Fax: 011- 22157416

Baroda
Office No. 102, Midway Heights, Lokmanya Tilak Road
Near Panchmukhi Hanuman Temple, Kalaghoda,
Vadodara - 390 001
Ph : 0265-2411016 / 3246846 Fax : 0265-2411012

Surat
Moovers The Business Inn, Lower Ground, Indraprasth
Complex, Opp. Sub. Jail, Hanuman Sheri Ring Road,
Surat - 395 002
Ph : 0261-2707088 ;Fax : 0261-2707080

Mohali
SCF - 39, 1st Floor, Phase - VII, Mohali - 160 059
Ph: 0172-3251497 / 3244479
Fax : 0172-2270748

Ahmedabad
307, ISCON Plaza, Opp. Star Bazaar, Satellite Road,
Ahmedabad - 380 015
Ph : 079-32901201

Surat
Moovers The Business Inn, Lower Ground, Indraprasth Complex,
Opp. Sub. Jail, Hanuman Sheri Ring Road
Surat - 395 002
Ph : 0261 - 2707088 Fax : 0261 - 2707080

Baroda
Office No. 102, Midway Heights, Lokmanya Tilak Road Near
Panchmukhi Hanuman Temple, Kalaghoda,
Vadodara - 390 001
Ph: 0265-2411016 / 3246846 Fax : 0265-2411012

Kolkata
R. NO. 102, 1st Floor 23A, Royd Street,
Kolkata - 700 016
Ph : 033-32946846 / 65397453 Fax : 033-22271849

Goa
Shop No. A-1, Solsons Abode Plot No. 64/6,
Pilerne Village, Bardez, Alto-Parvorim,
Goa - 403 521
Ph : 0832- 3292780 ; Fax : 0832-2410666

Pune
Parshuram Apartments, 2nd Floor, CTS No. 1616 Opp
Lokmanya Vachnalay, Off Tilak Road, Sadashiv Peth,
Pune - 411030
Ph : 020-32528070 ;Fax : 020-24327602

Hyderabad
House No. 3-7-230, Portion 3, 2nd Floor, Vikramপুরi,
Secunderabad - 500 003
Ph : 040-32915444 / 5445 Fax : 040-66497888

Silvassa
Survey 89/1/2, Gala No. 2 & 3,
Shalimar Industrial Estate, Dayat Falia Road, Amlj,
Silvassa - 396 230
Ph : 0260-3292506 / 2645004 Fax : 0260-2645004

Mettler-Toledo India Private Limited

Amar Hill, Saki Vihar Road, Powai, Mumbai - 400072.
● Tel : +91 - 22 -2803 1111 ● Fax : +91 - 22 - 2857 5071
● Email : sales.mtin@mt.com ● Website : www.mt.com

TMS Weighbridge



Precision loadcell (IP68)

Multi feature indicator

Efficient software

Rugged Weighbridge platform

www.mt.com

For more Information



Environment management
system to ISO 14001



This mark gives you the assurance
that our products conform
with the application EU directives

The Value of the Whole Exceeds the Sum of the Parts

METTLER TOLEDO

SM/HI/B-001TMS/20042007

Combined Value Creates a Stronger Product Solution

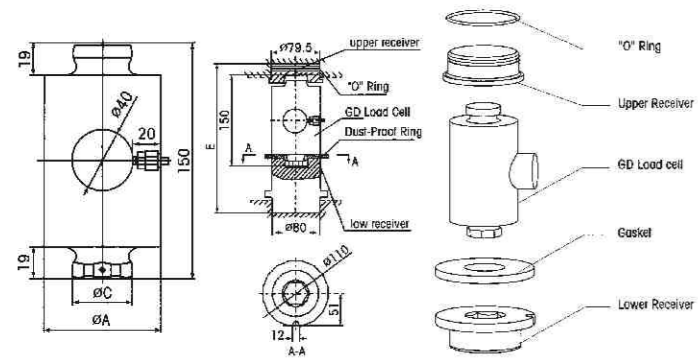
With a complete line of vehicle scale products, accessories and services METTLER TOLEDO can provide the solution that best meets your needs.



Load Cell

The METTLER TOLEDO loadcell is a high precision analog Rocker Pin loadcell for truck scale applications. It has a patented and unique mounting design which allows the Weighbridge to automatically restore to the vertical axis on all side loads.

Outline Dimensions(mm)



SPECIFICATIONS		
Model		0782(GD)
Rated output	mVV	2 ± 0.002
Non repeatability	% R.O.	≤ 0.01
Hysteresis	%R.O.	≤ ± 0.02
Non linearity	%R.O.	≤ ± 0.01
Creep(30min)	%R.O.	≤ ± 0.02
Zero balance	%R.O.	≤ ± 1
Operating temp. Range	°C	-30~+ 65
Temp. coefficient on output	%Load/ °C	≤ ± 0.002
Temp. coefficient on zero balance	%R.O./ °C	≤ ± 0.002
Input resistance	Ω	1160 ± 10
Output resistance	Ω	1000 ± 3
Insulation resistance	MΩ	5000(at 50 VDC)
Recommended voltage	V(DC/AC)	5~15
Max. excit. voltage	V(DC/AC)	20
Safe overload	%R.C.	125
Ultimated overload	%R.C.	300
Protection class		IP68

0782 (GD) is a self-restoring, rocker pin load cell designed for high capacity weighing. All stainless steel construction and hermetically sealed protection make this load cell ideal for Weighbridges.

Features

- Low weight for easy installation
- Patented design of anti-rotation
- Self-restoring rocker pin
- Stainless steel
- Hermetically sealed
- Protection class IP68



Indicator

The Best Solution For Truck Scale Terminal

8142 Pro Terminal Specification

- Internal increment up to 1,000,000
- A/D conversion rate: 300/second
- Power up to 8x350 ohm analog load cell, excitation voltage is 15VDC
- Keyboard calibration and setup
- Real time clock
- Span temperature coefficient : 6ppm / °C
- Span range: 3 to 30mV
- Zero, tare, clear and print function
- Motion defective, digital filter and AZM

8142 Pro Dual Display Version Functionality

- 2x7 digits vacuum fluorescent display
- 24 membrane keyboard
- Up to 500 truck ID, 99 cargo ID, 99 customer ID
- Sub-totalize the accumulation by truck ID, cargo ID, client ID
- Store up to 1000 transaction alibi memory

Communication Interface

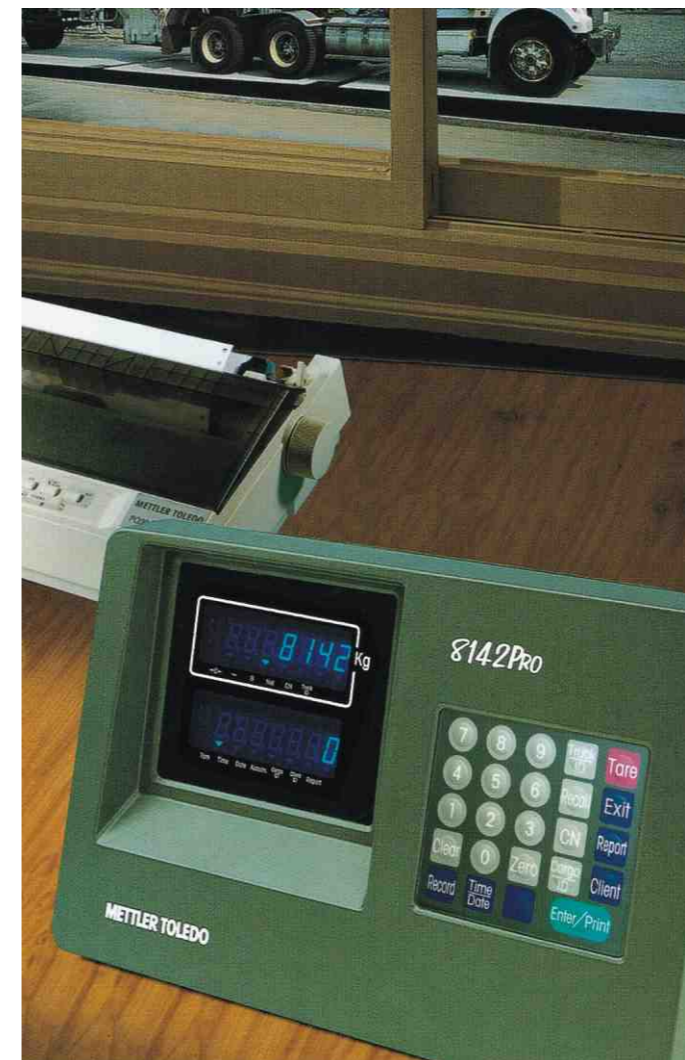
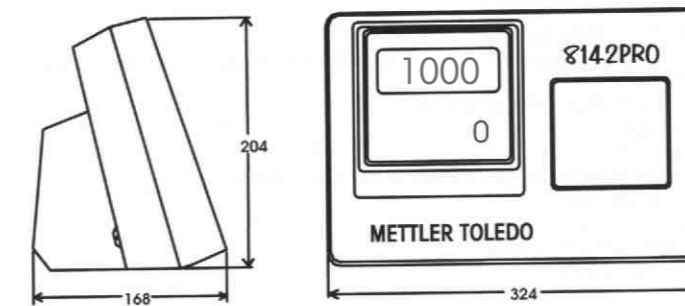
- Centronics Parallel port is compatible with EPSON's LX 300 printer
- COM 1
Interface : RS 232 and 20 mA current loop
Output : (1). METTLER TOLEDO Continuous serial output
(2). Demand mode : print out single line gross, net and tare remote ASCII command: may receive P (Print), T (Tare), C (Clear) and Z (Zero) command in ASCII characters.
- COM 2 (Only to dual display version)interface RS 232, RS422/485
Output : (1). METTLER TOLEDO continuous serial output
(2). Host : One PC may link up to 15 units 8142pro and bi-direction communication

Environment

- AC power line voltage : 230V, 50Hz. selectable (voltage variation is 15% to +10%) power consumption is around 15W
- Electromagnetic compatibility :
The 8124Pro meets or exceeds USA, Canadian and EC requirements for emission and immunity standards

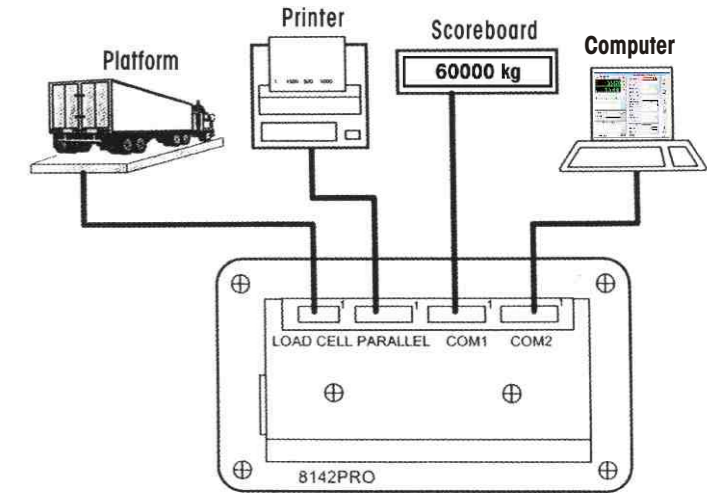
Enclosure

- Desktop, die-cast rugged enclosure



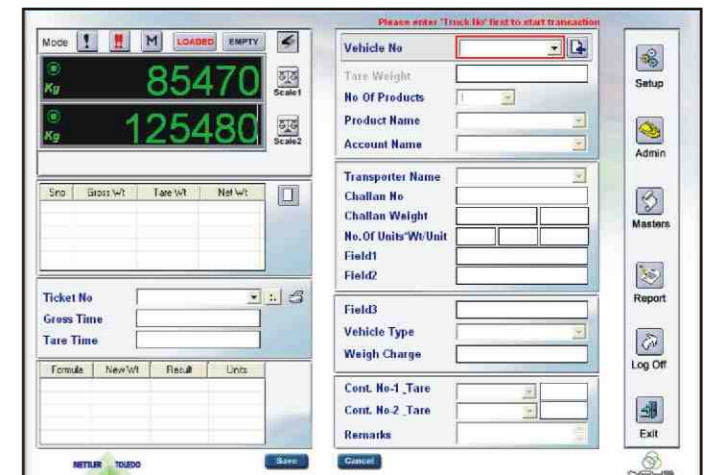
Typical configuration with the peripheral equipment

- Drawing



Software

What you do with the data from your Weighbridge is the most important consideration for deciding what software you need. Our top - of - the line eBridge® vehicle scale software makes vehicle transaction easier, faster and efficient.



- User Friendly User Interface Screen reduces operator learning time
- 2 Weighbridges connectivity simultaneously helps to streamline traffic and save on cost of cabin, operator and hardware
- Faster Transaction Completion through drop down combo boxes
- Flexible Ticket Customization
- Inventory Tracking
- Optional: Client-Server module connects multiple weighbridges when weighbridge PCs are in a computer network



Weighbridge

Rugged design composed of I-beams for troublefree operation year after year. Option of concrete deck is also available.

* Due to our policy of continuous improvement, specifications subject to change without notice.