

This document

This document is a quick start guide. Additionally, the following documents are available:

- Data sheet
- Installation Manual
- Reference Manual
MT-SICS Command Set
- Reference Manual
Standard Automation Interface
- APW Handbook

Environment & technical specification

ⓘ Compensated	10 °C to 30 °C
ⓘ Operating	5 °C to 40 °C
ⓘ Humidity	20 % to 80 %, non-condensing
	Overvoltage cat. II
	Pollution cat. 2
	Means of protection III
ⓘ Height above sea level	max. 4000 m
	Power supply PoE IEEE 802.3af

Further information



www.mt.com/ind-wmf-documents

Maintenance



The device cannot be repaired. For further service contact METTLER TOLEDO

Disposal

No disposal into domestic waste.



European Directive 2012/19/EU on Waste Electrical and Electronic Equipment (WEEE)

Main accessories

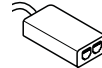


30300173 weighing pan, snap-in, without threaded holes

For commissioning



Cable M12f 180° – RJ45

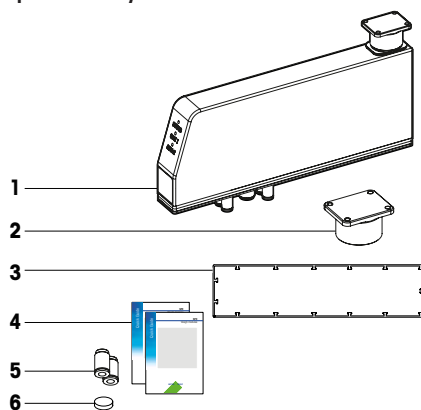


PoE Injector



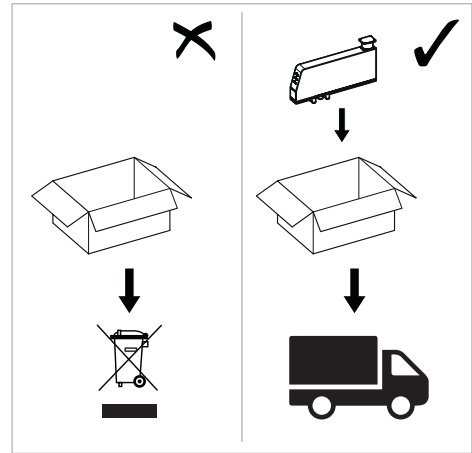
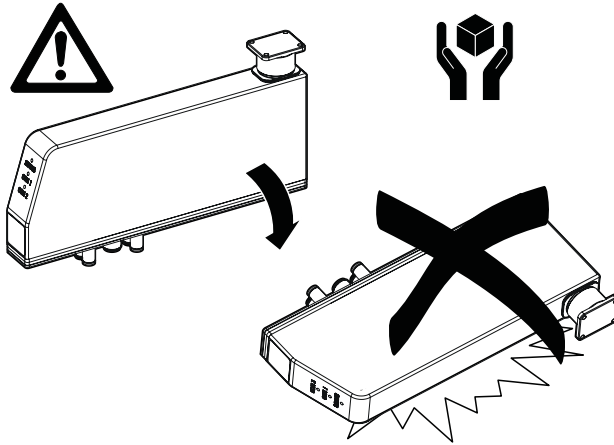
Ethernet/USB converter

1 Scope of delivery

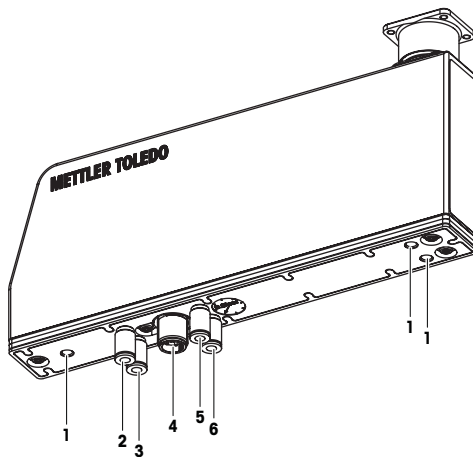


- 1 Weigh module
- 2 Adapter weighing pan with threaded holes
- 3 Gasket
- 4 Product documentation
- 5 Air connectors (only with optional washdown configuration)
- 6 Magnet

2 Handling



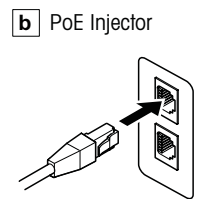
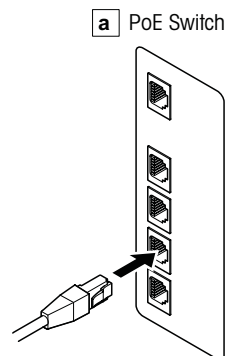
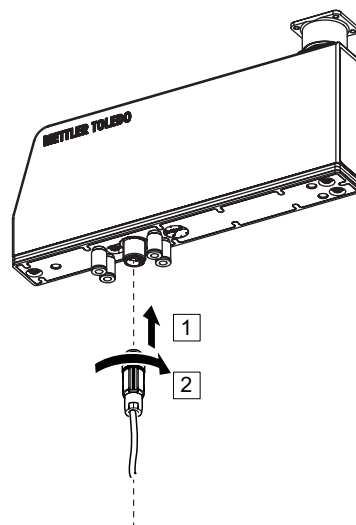
3 Mounting



- 1 3 holes M5 x 6 mm deep for mounting the weigh module
- 2 Air outlet for cooling function
- 3 Air inlet for cooling function
- 4 M12 PoE
- 5 Deaeration plug for the optional wash-down function
- 6 Air connection for the optional wash-down function

4 Connection

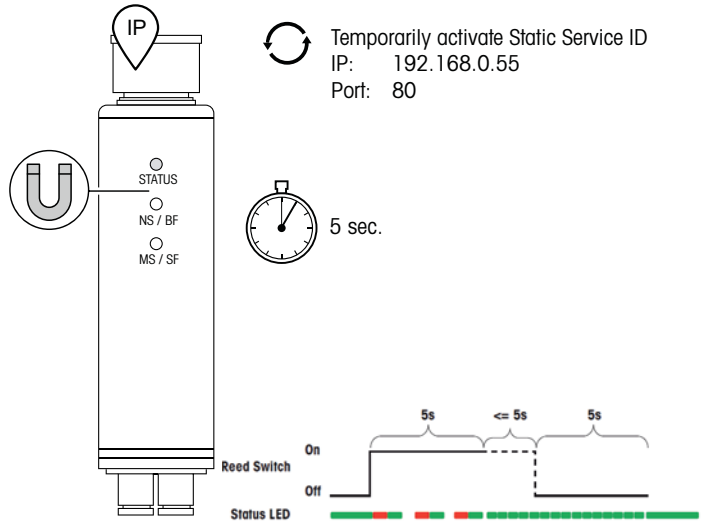
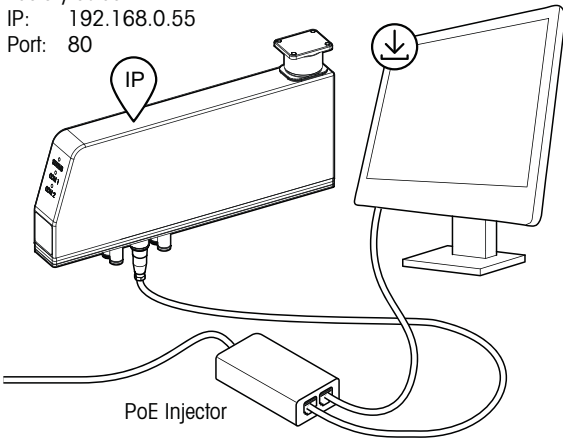
PoE according to IEEE 802.3af



5 Configuration

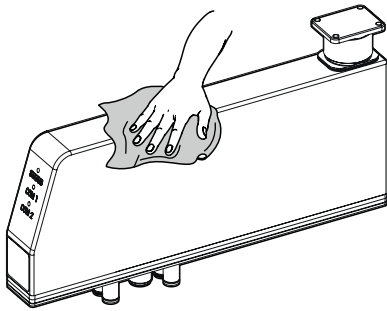
Factory default
 IP: 192.168.0.55
 Port: 80

<http://www.mt.com/apw-link>

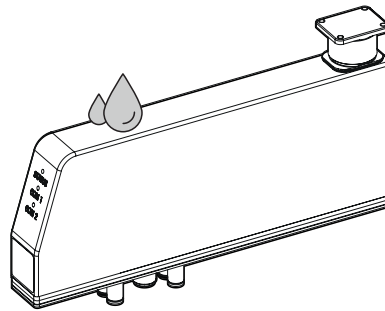


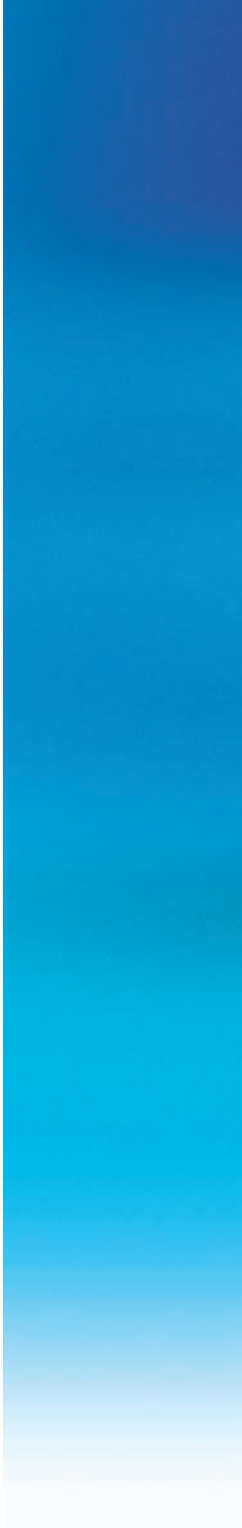
6 Cleaning

IP44



IP65 with washdown option activated





www.mt.com/WMF

For more information

Mettler-Toledo GmbH
Im Langacher 44
8606 Greifensee, Switzerland
www.mt.com

Subject to technical changes
© 11/2024 METTLER TOLEDO. All rights reserved
31026163A en

