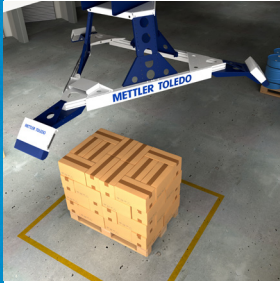


### Measure 240 Pallets Per Hour



#### Fastest Measurement

The quick measuring time of the TLD870 allows you to measure more pallets more efficiently. Recover revenue on up to 240 pallets an hour without impeding operations or missing cut-off times.



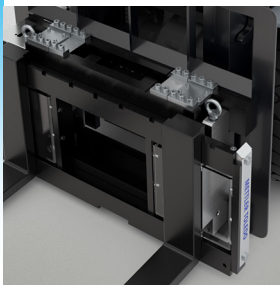
#### Easily Measure Any Pallet

Some surface types, such as black plastic and other reflective wrappings can cause problems for dimensioners. The TLD870 gives an accurate reading on 99 percent of surface types for easy, efficient revenue recovery on any pallet.



#### High Uptime, Low-Cost Service

No external moving parts and a powerful, embedded computer create a lean, rugged system. There is no need for regular replacement of wear parts, keeping cost of ownership low and minimizing risk of failure.



#### Simply Add Weighing

Turn your dimensioner into a complete dimensioning, weighing scanning solution. The TLD870 can be supplied with your choice of floor or forklift scale and barcode reading technology.



#### Fast, Efficient and Hassle-Free Automatic Pallet Dimensioning

Freight companies need to measure pallets fast for revenue recovery, costing, invoicing and load planning. The TLD870 speeds up the measuring process and keeps operations running smoothly.

Our new and improved pallet dimensioning solution provides faster measuring speeds, improved readability and low cost of ownership. It can be provided for dimensioning only or integrated with floor or forklift scales to create a complete dimensioning, weighing and scanning solution.

# TLD870

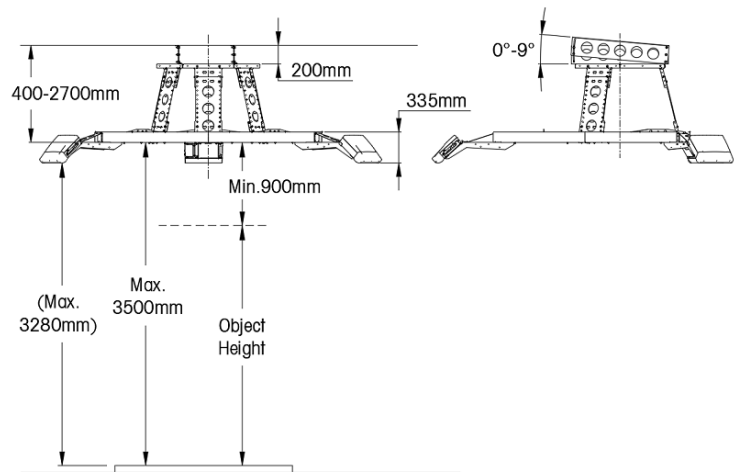
## Static Pallet Dimensioning

### Features and Benefits

- Widest measuring surface-range for maximum read rate
- Powerful embedded processor - no external controller necessary
- Secure data transfer and tamper-proof alibi storage
- InTouch Remote diagnostics for easy upgrades and service
- Graphical user interface for quick access to statistics and reports
- Flexible system design for ease of integration
- Rugged and dust protected for tough industrial use
- Quick and easy installation and replacement
- Easy integration with floor and forklift scales
- ImageCapture to take and store a picture of each pallet

### Worldwide Approvals

Weights and Measures Approvals ensure that measurements used for invoicing are accurate, repeatable and legal-for-trade.



### Legal-for-Trade Approvals

Specifications	NTEP	Measurement Canada	MID
Minimum Size (L x W x H)	12" x 8" x 3"	12" x 12" x 12"	200 x 200 x 100 mm
Maximum Size (L x W x H)	98" x 98" x 102"	98" x 98" x 104"	2500 x 2500 x 2600 mm
Accuracy	Objects up to 72" x 72" x 72", ± 0.25"	± 1" x 1" x 1"	± 10 x 10 x 10 mm
	Objects above 72" x 72" x 72", ± 0.5"		
Throughput	Approximately 240 pallets per hour		
Object Shape	All solid shapes		
Object Surface	Most surfaces, variations are sometimes encountered when a surface is translucent or very glossy		
Orientation	Most stable surface down within defined field-of-view		
Background	Flat, continuous surface		
Spacing	Objects are placed under the dimensioner one by one		

Enclosure / Environment	
Housing Material	Aluminium
Operating Temperature	-10 to +50°C, Start condition 0°C
Humidity	10 - 90%, non-condensing
Level	-2000m / NN Indoors
Aperture angle	82°
Power	24 VDC ±15%
Power Consumption	40 W
Fuse	ATO/FKS 3A
Product Dimensions (L x W x H)	12 x 41 x 36 cm
Weight	10 kg

Regulatory Compliance / Approvals	
Light Source	Laser diode, red, wavelength 660 nm
Laser	Class II (2)
OIML	R129 Compliant

Data Interfaces	
Connectivity	Monitor (HDMI type) DVI-I, 6 x USB, 2 x Ethernet, Tacho In, Tacho Out, Binary I/O

[www.mt.com/TLD870](http://www.mt.com/TLD870)

For more information

### METTLER TOLEDO Group

Transport and Logistics  
Local contact: [www.mt.com/transport](http://www.mt.com/transport)

Subject to technical changes  
©07/2022 METTLER TOLEDO. All rights reserved  
30526926