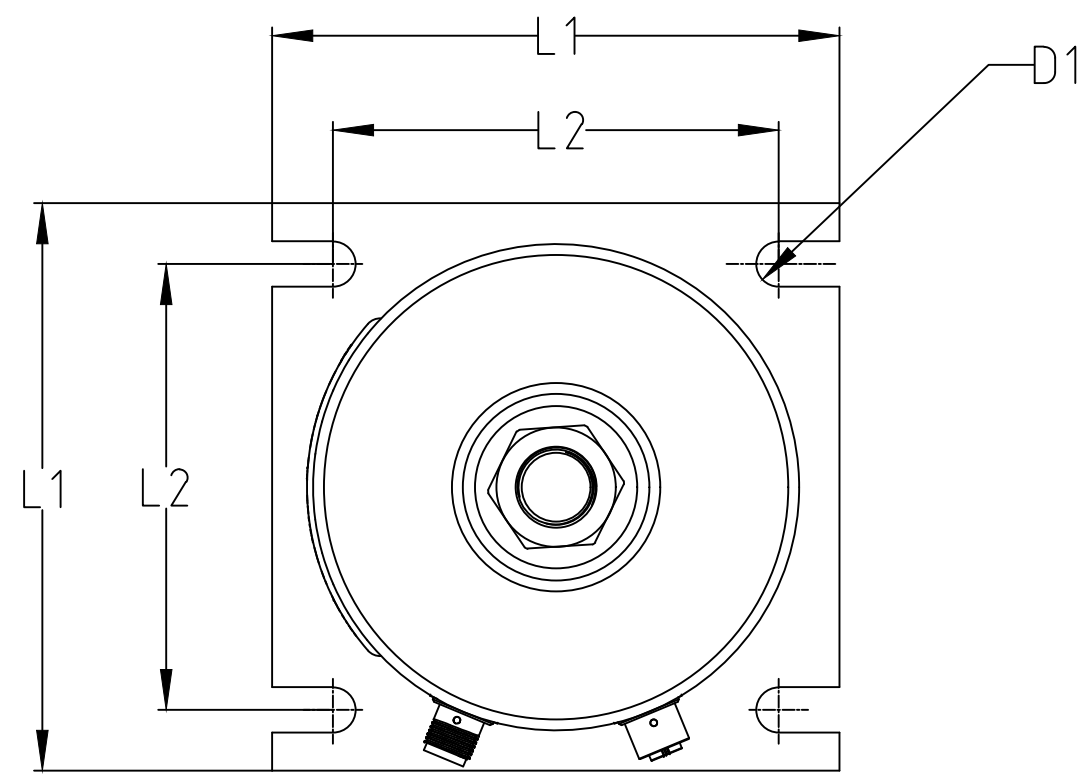
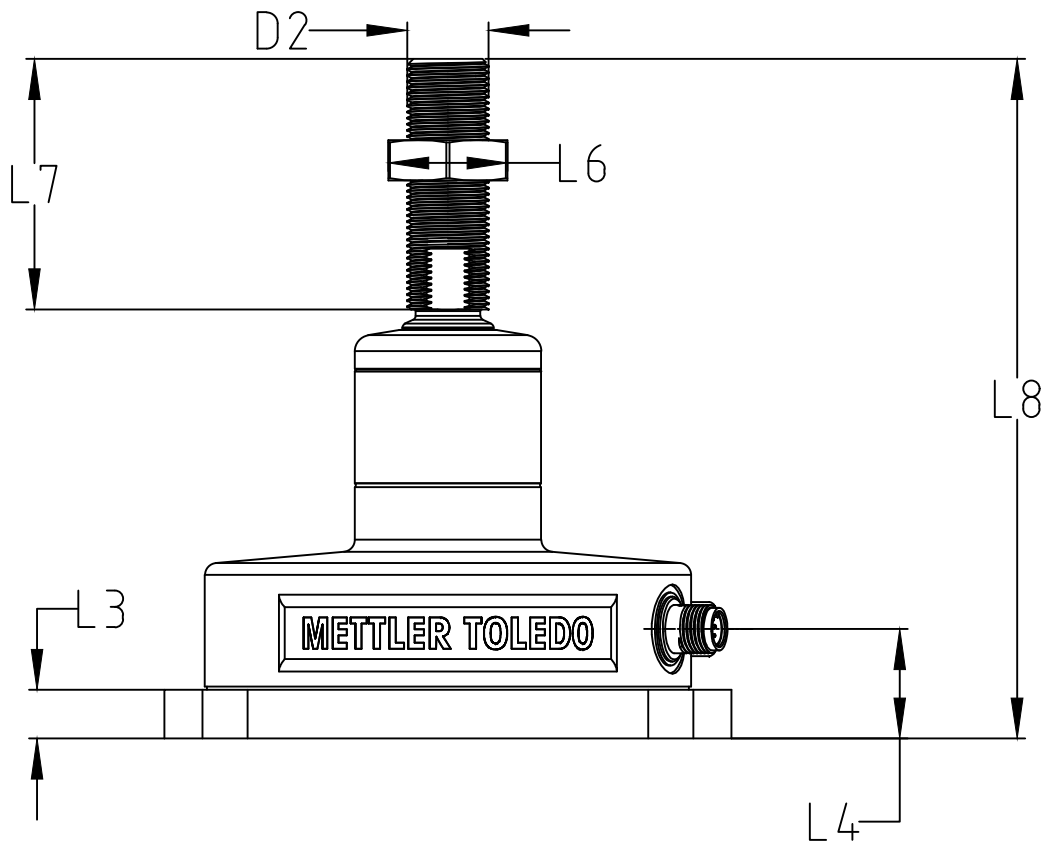
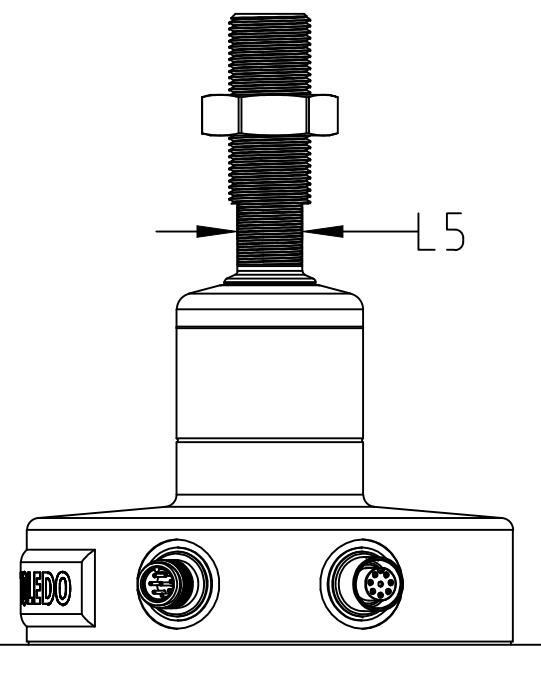


Capacity	Location and dimensions (mm [inch])											
	L1	L2	L3	L4	L5	L6		L7	L8	D1	D2	
	1T / 3T	140 [5.51]	110 [4.33]	12 [0.47]	27 [1.06]	16 [0.62]	Metric 30 [1.18]	US [1-1/8]	61.8 [2.43]	167.7 [6.61]	11.2 [0.44]	Metric M20X1.5



Note: Stem kit is available with metric or US(imperial) thread form. Difference in dimension L6 and D2 shown in chart above.

RoHS/REACH conform

Length	0.5...3	>3...6	>6...30	>30...120	>120...400	>400	Angle	>0...10	>10...50	>50...120	>120...400	R+Chamfer	0.5...3	>3...6	>6
medium	±0.1	±0.1	±0.2	±0.3	±0.5	±0.8	medium	±1°	±0°30'	±0°20'	±0°10'	medium	±0.2	±0.5	±1

Material: - Standard threads: ISO: 6H / 6g ANSI: class 2
Material2: - Size ISO 14405

Finish: - General geometrical tolerances ISO 2768-K

All Dimensions are finished dimensions post surface treatment

METTLER TOLEDO
Title: SLL210 Stem Kit

Design: Rev A
Status: Released
Units MM: 1/1

ERP Number: 30966582
ERP Revision: 1/1

REV / CHG	ZONE	DESCRIPTION	BY	APPVD	AGENCY	E.R. NO.	DATE
A			Binbin	Bingzheng			2024.06

RECORD OF CHANGES