

## Cast Iron Grip Handle Weights Our Economical Standard



### Clear Weight Class Identification

METTLER TOLEDO adds color to traditionally grey cast iron weights. Our new color codes are a fast and safe way to identify the weight class, even from far away when weights are stocked on trucks or shelves.



### A Protection Tough as Nails

While old school weight manufacturers simply paint their weights after casting, METTLER TOLEDO weights are milled to get an even smoother surface for the coating process. After milling, a two-component coating for toughest corrosion-, scratch-, and mechanical abrasion resistance is applied. Even long term environmental stress tests cannot harm this robust armor.



### Meeting Tough Requirements Solid and Durable Cast Iron Weights

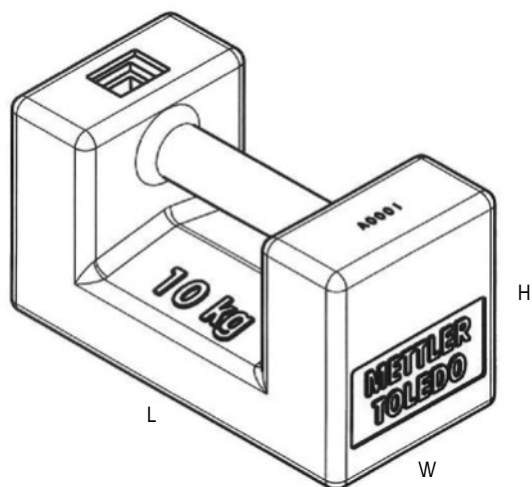
Cast iron grip handle weights are manufactured in accordance with International Recommendation OIML-R111 regarding material, surface roughness, density and magnetism. The two-component coating ensures a smooth surface free of cracks, pits and sharp edges. Each weight has an adjusting cavity located on top of the weight. The new color code avoids mixing up of weight classes. Weights are available in OIML classes M<sub>1</sub>, M<sub>2</sub> and M<sub>3</sub> with nominal values of 5 kg, 10 kg, 20 kg, and 50 kg.



### Traceability through Serial Number

A unique serial number ensures traceability and allows customers to track serial numbers and assign weights to weighing equipment. Upon request, conventional mass values are reported in calibration certificates, issued under the scope of ISO17025.

## Solid and Durable Cast Iron Weights



### Technical Specifications

Tolerance	OIML class M <sub>1</sub> M <sub>2</sub> M <sub>3</sub> (acc. to OIML R111-1:2004)
Material weight	Cast iron
Density $\rho$	7100 kg/m <sup>3</sup> $\pm$ 600 kg/m <sup>3</sup>
Polarization $\mu_0 M$	< 250 $\mu$ T
Surface	Painted (Two-component coating) M <sub>1</sub> : Pantone 648 C M <sub>2</sub> : Pantone 647 C M <sub>3</sub> : Pantone 646 C
Adjusting cavity	According OIML, Type 2

### Cast iron Grip Handle Weights OIML class M<sub>1</sub>

Order Number*	Nominal Value (kg)	MPE ( $\pm \delta m$ in mg)	Length (mm)	Width (mm)	Height (mm)
11125400	5 kg	$\pm$ 250	152	77	86
11125401	10 kg	$\pm$ 500	191	95	109
11125402	20 kg	$\pm$ 1000	232	116	139
11125403	50 kg	$\pm$ 2500	310	155	191

### Cast iron Grip Handle Weights OIML class M<sub>2</sub>

Order Number*	Nominal Value (kg)	MPE ( $\pm \delta m$ in mg)	Length (mm)	Width (mm)	Height (mm)
11125408	5 kg	$\pm$ 800	152	77	86
11125409	10 kg	$\pm$ 1600	191	95	109
11125410	20 kg	$\pm$ 3000	232	116	139
11125411	50 kg	$\pm$ 8000	310	155	191

### Cast iron Grip Handle Weights OIML class M<sub>3</sub>

Order Number*	Nominal Value (kg)	MPE ( $\pm \delta m$ in mg)	Length (mm)	Width (mm)	Height (mm)
11125416	5 kg	$\pm$ 2500	152	77	86
11125417	10 kg	$\pm$ 5000	191	95	109
11125418	20 kg	$\pm$ 10000	232	116	139
11125419	50 kg	$\pm$ 25000	310	155	191

\* Please contact your local dealer for order numbers incl. calibration certificate

For quotes or technical information regarding weights please use this email address: [weights@mt.com](mailto:weights@mt.com)

[www.mt.com/weights](http://www.mt.com/weights)

For more information



#### Mettler-Toledo AG

Laboratory & Weighing Technologies  
CH-8606 Greifensee  
Tel. +41-44-944 22 11  
Fax +41-44-944 31 70

Subject to technical changes  
© 03/2010 Mettler-Toledo AG  
Printed in Switzerland 30003803  
Global MarCom Switzerland

