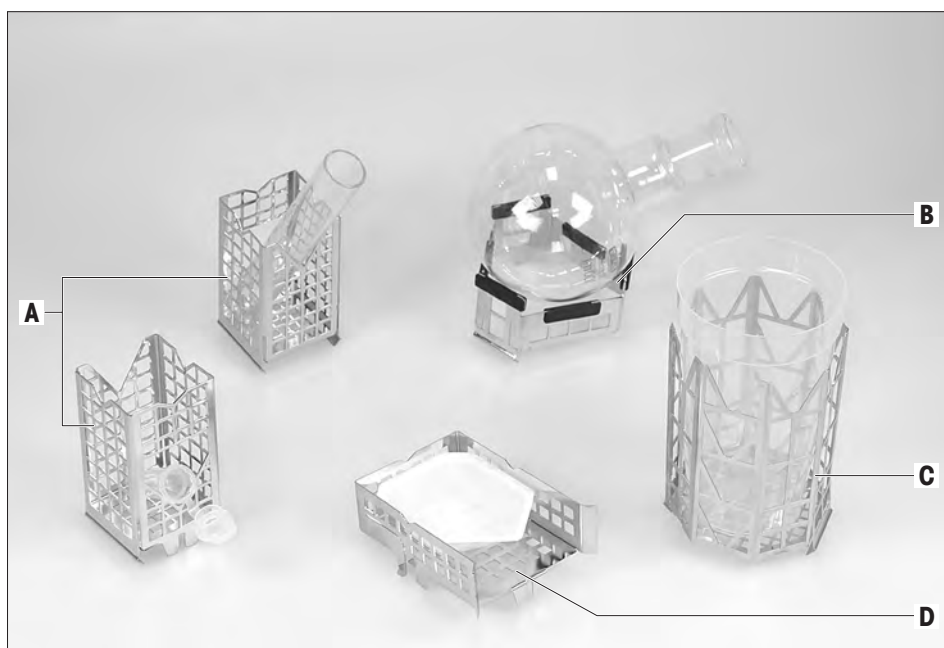


ErgoClips for Analytical Balances

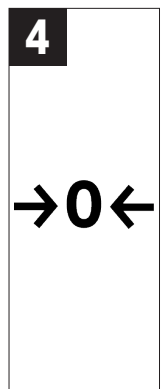
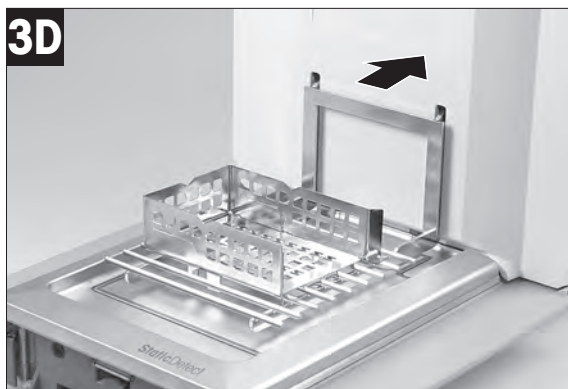
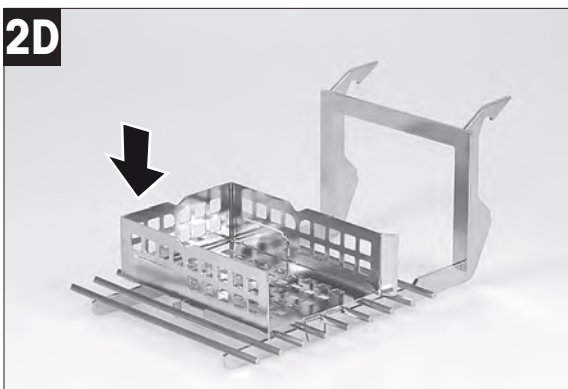
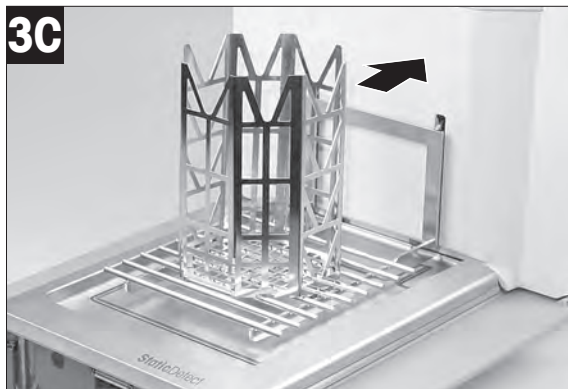
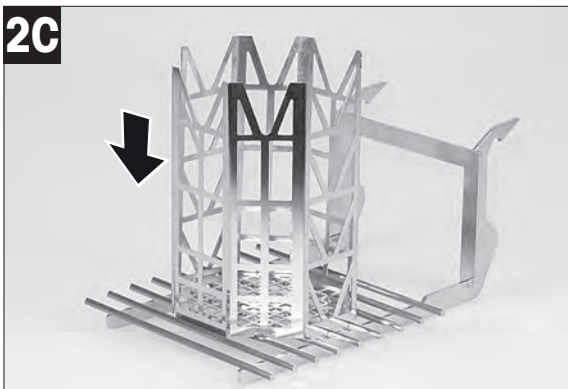
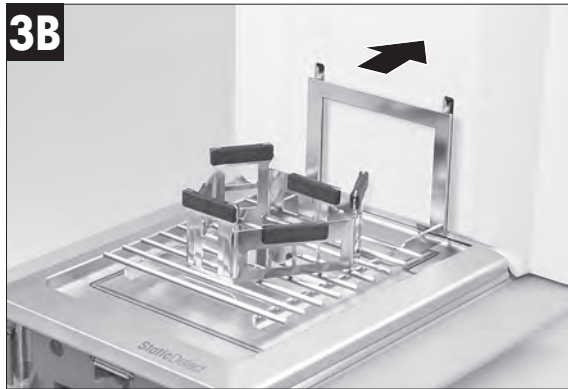
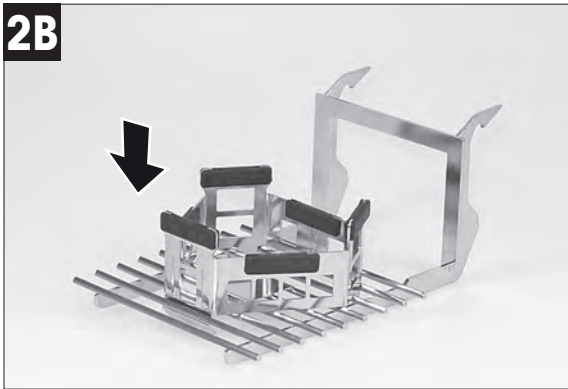
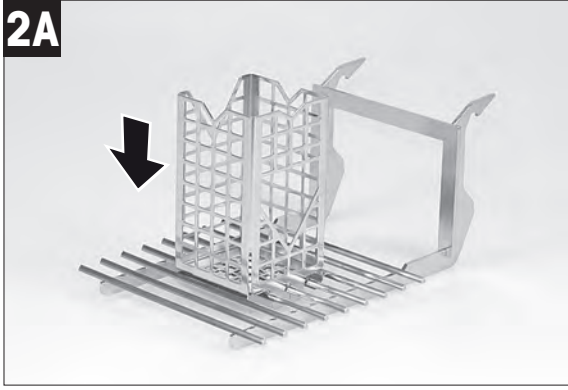


For analytical balances XPR, XSR, XPE, XSE, XP, XS

Name	Description
A ErgoClip Basket Small	Attachment for test tubes and small plastic tubes (side opening)
B ErgoClip Round Bottom Flask	Attachment for round-bottom flasks (various sizes)
C ErgoClip Titration Basket	Attachment for titration beaker
D ErgoClip Weighing Boat	Attachment for weighing boats



METTLER TOLEDO



www.mt.com/lab-accessories

For more information

Mettler-Toledo GmbH
 Im Langacher 44
 8606 Greifensee, Switzerland
www.mt.com/contact

Subject to technical changes.
 © Mettler-Toledo GmbH 08/2018
 30419899A en

