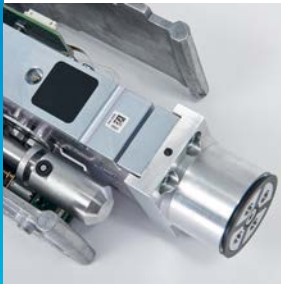


High Accuracy For Harsh Environment



Consistent Accuracy

Vibration, wind and temperature variances are outside influences that can cause errors in your formulations or mistakes in counting. The PFK9 Weighing Platforms virtually eliminate those risks, thanks to the Monobloc load cell and the robust design of the scale body, which absorb environmental interference.



Smart Load-Cell Technology

The load cell, with Monobloc technology, is at the core of the PFK9 Weighing Platforms and guarantees the highest precision and reliability. A robust load – cell housing features integrated overload protection and durable mechanical interfaces. This ensures stable weight values for many years of intensive use.



Functional Design

Installing floor scales in pits is beneficial to allow easy loading and unloading of material on the ground level. The pit frames, which are available as an accessory for all floor scales, ensure short installation time and easy positioning and leveling.



Hazardous Environments

When working in a hazardous environment, safety is key. The PFK9 Weighing Platforms are approved for the use in hazardous areas for Category 3 and Division 2 for top performance in gaseous and dusty environments.



PFK9 Floor Platforms

Accurate – Reliable – Robust – Versatile

Accurate weighing helps you manage raw materials, ensure compliance with regulations and improve your product quality. For floor scale applications that require reliability with the best accuracy available, the PFK9 Weighing Platforms provide industry-leading performance. The wide range of platforms with four capacities from 300 to 3000 kilograms in four different sizes makes it suitable for a variety of applications and industries. The PFK9 Weighing Platforms can be connected to numerous METTLER TOLEDO terminals resulting in top-class weighing systems with benefits such as

- 30 000e resolution in legal-for-trade applications
- Up to 750 000d resolution for non-approved applications
- For safe as well as hazardous areas (Cat. 3 and DIV 2)
- IP66/IP68 Ingress Protection
- Easy maintenance with built-in calibration weight

High Precision Floor Platforms Model Specific Data



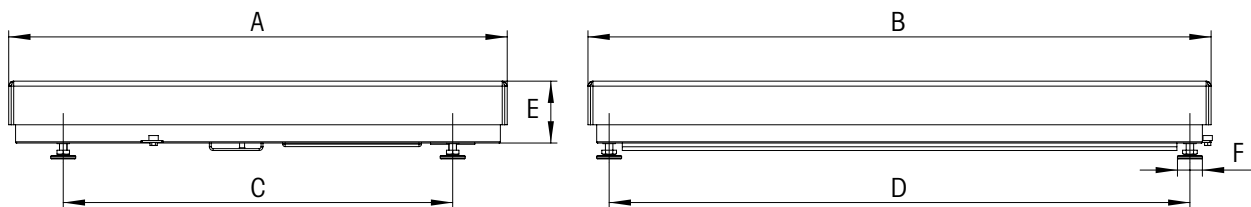
Models		C		D		E		ES	
	unit	C300	C600	D600	D1500	E1500	E3000	ES1500	ES3000
Maximum Capacity	[kg]	300	600	600	1500	1500	3000	1500	3000
Readability									
Accuracy Class II Single Range									
30 000e*	[g]	10*	20*	20*	50*	50*	100*	50*	100*
15 000e / 12 000e	[g]	20	50	50	100	100	200	100	200
7 500e / 6 000e	[g]	50	100	100	200	200	500	200	500
Accuracy Class III 3x10000e Multi Interval									
Max1 / e1	[kg/g]	100/10	200/20	200/20	500/50	500/50	1000/100	500/50	1000/100
Max2 / e2	[kg/g]	200/20	500/50	500/50	1000/100	1000/100	2000/200	1000/100	2000/200
Max3 / e3	[kg/g]	300/50	600/100	600/100	1500/200	1500/200	3000/500	1500/200	3000/500
Non-Approved, Single Range									
750 000d / 600 000d	[g]	0.5	1	1	2	2	5	2	5
300 000d / 240 000d	[g]	1	2	2	5	5	10	5	10
75 000d / 60 000d	[g]	5	10	10	20	20	50	20	50
Maximum Permissible Error at maximum load (Limit Values, approved platforms only)									
Class II, Single Range, 30 000e	[g]	15	30	30	75	75	150	75	150
Class III, Multi Interval, 3x10 000e	[g]	75	150	150	300	300	750	300	750
Minimum Capacities (approved platforms only)									
Class II, Single Range, 30 000e	[g]	0.05	1	1	2.5	2.5	0.5	2.5	0.5
Class II, Single Range, 15 000e / 12 000e	[g]	1	2.5	2.5	0.5	0.5	10	0.5	10
Class II, Single Range, 7 500e / 6 000e	[g]	2.5	0.5	0.5	10	10	25	10	25
Class III, Multi Interval, 3x10 000e	[g]	0.2	0.4	0.4	1	1	2	1	2
Zero-setting and Preload Range									
Zero-setting range	[kg ±]	6	12	12	30	30	60	30	60
Preload range	[kg]	54	108	108	270	270	540	270	540
Maximum Static Safe Load									
Central load	[kg]	1000	1000	3500	3500	4500	4500	4500	4500
Side load	[kg]	650	650	2300	2300	3000	3000	3000	3000
Corner load	[kg]	330	330	1150	1150	1500	1500	1500	1500
Typical Values**									
Repeatability s (at max. load)	[g]	0.6	1.2	2	4	5	10	5	10
Linearity deviation (at half load)	[g]	2.4	4.8	8	16	20	40	20	40
Typical eccentric deviation (at 1/3 of max. load in the middle of one quadrant)									
Class II, Single Range, 7 500e / 6 000e	[g]	10.5	21	21	52.5	52.5	105	52.5	105
Class II, Single Range, 30 000e / 15 000e / 12 000e	[g]	7	14	14	35	35	70	35	70
Class III 3x10 000e Multi Interval	[g]	10.5	21	21	52.5	52.5	105	52.5	105

Readability in **bold** letters enable the use of an auxiliary indicating device to display d, where $d = e/10$

* Requires installation by a METTLER TOLEDO Service Technician and appropriate environmental conditions

** at room temperature and stable environmental conditions without vibration and draft, with automated weight placement

Dimensional Drawings



Dimensions [mm]	Models			
	C	D	E	ES
A	800	1000	1250	1500
B	1000	1250	1500	1500
C	625	890	1140	1390
D	932	1110	1360	1360
E	115-140	180-205	182-207	197-222
F	40	60 x 60	60 x 60	60 x 60

High Precision Floor Platforms General Specifications

Models			C	D	E	ES
Material						
Platform Material	Stainless steel AISI304	Standard	●	●	●	●
	Mild steel powder coated, blue	Standard	●			
	Mild steel galvanized	Standard		●	●	●
Platform Surface	Stainless Steel AISI304, glas bead blasted Ra < 3 µm	Standard	●	●	●	●
Load Plate Material	Stainless steel AISI304	Standard	●	●	●	●
	Mild steel galvanized	Option	●	●	●	●
	Stainless steel AISI304, raisable	Option		●	●	●
Load Plate Surface	Stainless steel AISI304, glas bead blasted, Ra < 3 µm	Standard	●	●	●	●
	Stainless steel brushed Ra < 0.8 µm	Option		●	●	●
	Stainless steel AISI304 pattern	Option		●	●	●
Foot	Desmopan (DP)	Standard	●			
	Stainless Steel AISI304	Standard		●	●	●
Membrane	Silicone	Standard	●	●	●	●
Connecting Cable	Polyurethane (PU)	Standard	●	●	●	●
Connecting Cable Hazardous Area (Zone 2/22, Div 2)	Polyether-Polyurethane	Standard	●	●	●	●
Load Cell	Stainless Steel (AISI304), brushed, e-polished	Standard	●	●	●	●
Ingress Protection						
All PFK9 Weighing Platforms	IP66/68	Standard	●	●	●	●
Resolution (The resolution is dependent on the weighing platform model)						
Class III, 3x10 000e, Multi Interval		Standard	●	●	●	●
Class II 1 x 6 000e / 1 x 7 500e, Single Range		Option	●	●	●	●
Class II, 1 x 15 000e / 1 x 12 000e, Single Range		Option	●	●	●	●
Class II, 1 x 30 000e, Single Range		Option	●*	●*	●*	●*
Non-approved, 1 x 60 000d / 1 x 75 000d		Option	●	●	●	●
Non-approved, 1 x 300 000d		Option	●	●	●	●
Non-approved, 1 x 600 000d / 1 x 750 000d		Option	●	●	●	●
Temperature Range						
Approved Application						
Accuracy Class II	0°C ... + 40°C					
Accuracy Class III	- 10°C ... + 40°C					
Non-Approved Application						
In Operation	- 20°C ... + 60°C					
For Storage	- 20°C ... + 70°C					
Warm up time (dependend on resolution)						
typically 30 min						
Hazardous Area Approval (available in Q4/2015)						
ATEX	Cat. 3GD BVS 10 ATEX E131	Option				
FM	Division 2	Option				
Scale Interfaces						
SICSpro	MT - SICS command set, RS422	Standard				
IDNet via ACC409xx adapter	SICSpro - IDNet signal convertor (cable)	Option				
Cable length						
2.5m, 5m, 10m, 20m		Option				

*Requires installation by a METTLER TOLEDO Service Technician and appropriate environmental conditions

Model designation examples:

PFK989-C600 floor platform with frame in stainless steel, C-Size (800 mm x 1000 mm), capacity 600kg

PFK988-E3000 floor platform with frame in mild steel galvanized, E-Size (1250 mm x 1500 mm), capacity 3000kg

Connection to Terminals

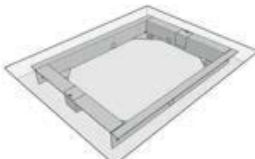
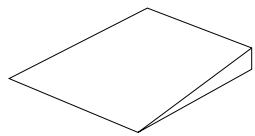


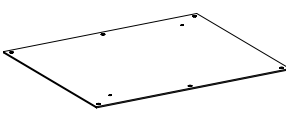


Terminals with **SICSpro** interface that directly connect to PFK9:
IND890, IND570 (as per Q4/2015); ICS4_5; ICS685; ICS4_9,
ICS689



Terminals with **IDNet** interface that require ACC409xx adapter:
IND690(xx); IND4_9(xx); IND560(xx); IND780(xx);
ID5; ID7; ID30 (ID5, ID7 and ID30 for non-approved applications only)

Accessories

Article Number	Designation	Description	Picture
30242214	Quick Pit C Model galvanized	930 x 1210 mm	
30242215	Quick Pit C Model stainless steel	930 x 1210 mm	
30242216	Quick Pit D Model galvanized	1130 x 1380 mm	
30242217	Quick Pit D Model stainless steel	1130 x 1380 mm	
30242218	Quick Pit E Model galvanized	1390 x 1640 mm	
30242219	Quick Pit E Model stainless steel	1390 x 1640 mm	
30242220	Quick Pit ES Model galvanized	1640 x 1640 mm	
503638	Ramp C Model galvanized pattern	For C Model only	
599204	Ramp C Model stainless steel pattern		
599198	Ramp C Model stainless steel smooth		
30242223	Cable M12 RS422 SICSPRO 12P/6P 2,5m	Cables for safe area	
30242224	Cable M12 RS422 SICSPRO 12P/6P 5m		
30242226	Cable M12 RS422 SICSPRO 12P/6P 10m		
30242225	Cable M12 RS422 SICSPRO 12P/6P 20m		
30242227	Cable M12 RS422 SICSPRO 12P/6P 100m		
30242229	Cable M12 RS422 SICSPRO 2,5m Ex2	Cables for hazardous area (Cat 3, DIV 2)	
30242230	Cable M12 RS422 SICSPRO 5m Ex2		
30242231	Cable M12 RS422 SICSPRO 10m Ex2		
30242232	Cable M12 RS422 SICSPRO 20m Ex2		
00503617	Load plate, D-size, mild steel powder coated		
00503618	Load plate, D-size, mild steel galvanized		
00503619	Load plate, D-size, stainless steel		
00503620	Load plate, E-size, mild steel powder coated		
00503621	Load plate, E-size, mild steel galvanized		
00503622	Load plate, E-size, stainless steel		
00504504	Load plate, ES-size, mild steel powder coated		
00504505	Load plate, ES-size, mild steel galvanized		
00504506	Load plate, ES-size, mild steel galvanized		
22026963	ACC409xx		

METTLER TOLEDO Service

Our extensive service network is among the best in the world and ensures maximum availability and service life of your product.



Quality certificate ISO 9001
Environment certificate ISO 14001

Subject to technical changes.
© 02/2015 Mettler-Toledo AG
Printed in Switzerland MTSI 30237989
MarCom Industrial

www.mt.com

Visit for more information